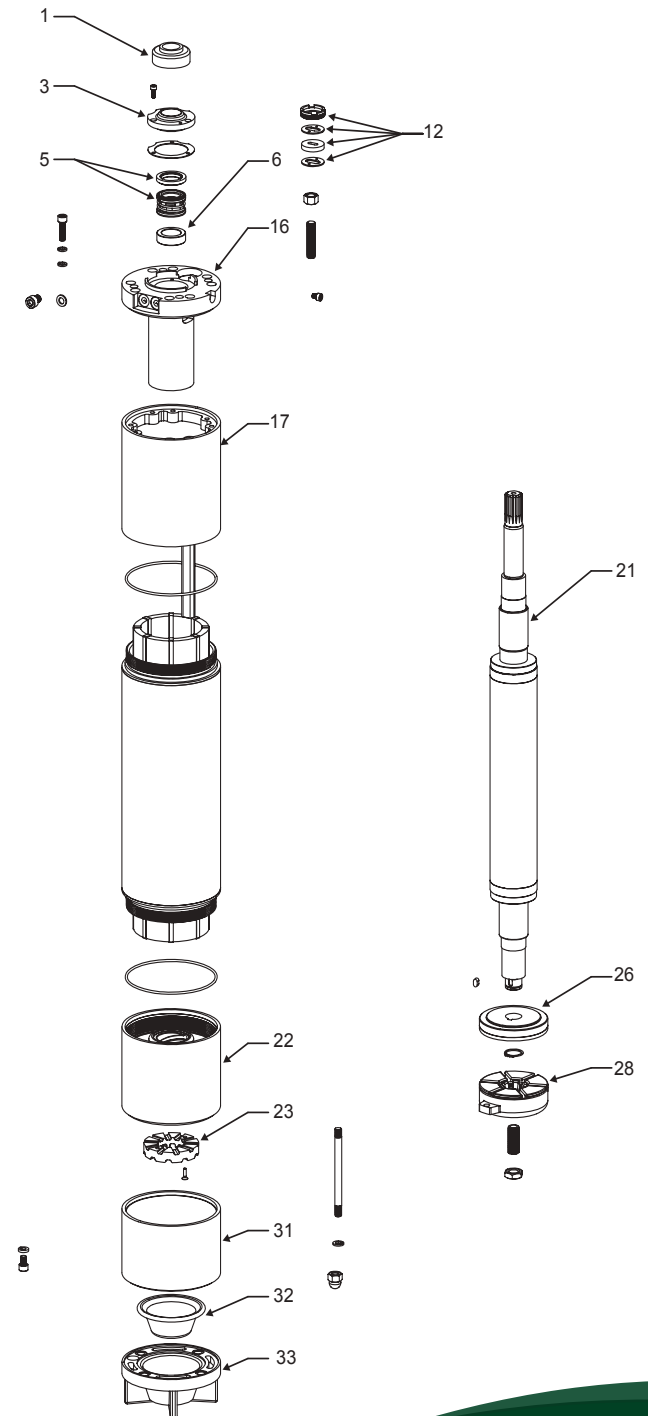


## TABLA DE REFACCIONES

POSICIÓN	REFACCIÓN	MSRT6 7.53230	MSRT6 7.53460	MSRT6 103230	MSRT6 103460	MSRT6 153230	MSRT6 153460	MSRT6 203230	MSRT6 203460	MSRT6 253230	MSRT6 253460	MSRT6 303230	MSRT6 303460	MSRT6 403230	MSRT6 403460	MSRT6 503230	MSRT6 503460	MSRT8/6 603460	MSRT8 753460	MSRT8 1003460	MSRT10/8 1253460	MSRT10/8 1503460	MSRT10/8 1753460	MSRT10/8 2003460	MSRT12/10 2503460	CÓDIGO					
1	DESARENADOR	✓	✓	✓	✓	✓	✓	✓	✓	✓	✓	✓	✓	✓	✓	✓	✓	✓	✓	✓	✓	✓	✓	✓	✓	✓	R-MSRT6-DESARE				
		✓	✓	✓	✓	✓	✓	✓	✓	✓	✓	✓	✓	✓	✓	✓	✓	✓	✓	✓	✓	✓	✓	✓	✓	✓	✓	R-DESARE-MSW6"			
																			✓	✓	✓							R-MSRT8-DESARE			
																													R-DESARE-MSW8"		
																							✓	✓	✓	✓	✓	✓	R-MSRT10/8-DESARE		
																							✓	✓	✓	✓	✓	✓	✓	R-DESARE-MSW10/8"	
3	TAPA SELLO MECÁNICO	✓	✓	✓	✓	✓	✓	✓	✓	✓	✓	✓	✓	✓	✓	✓	✓	✓	✓	✓	✓	✓	✓	✓	✓	✓	✓	R-DESARE-MSW12/10"			
		✓	✓	✓	✓	✓	✓	✓	✓	✓	✓	✓	✓	✓	✓	✓	✓	✓	✓	✓	✓	✓	✓	✓	✓	✓	✓	R-MSRT6-TAPSM			
																				✓	✓	✓							R-TAPSM-MSW6"		
																				✓	✓	✓							R-MSRT8-TAPSM		
																				✓	✓	✓							R-TAPSM-MSW8"		
																				✓	✓	✓	✓	✓	✓	✓	✓	✓	R-MSRT10/8-TAPSM		
5	SELLO MECÁNICO	✓	✓	✓	✓	✓	✓	✓	✓	✓	✓	✓	✓	✓	✓	✓	✓	✓	✓	✓	✓	✓	✓	✓	✓	✓	✓	R-TAPSM-MSW10/8"			
		✓	✓	✓	✓	✓	✓	✓	✓	✓	✓	✓	✓	✓	✓	✓	✓	✓	✓	✓	✓	✓	✓	✓	✓	✓	✓	R-TAPSM-MSW12/10"			
																				✓	✓	✓							R-MSRT6-SM		
																				✓	✓	✓							R-SM-MSW6"		
																				✓	✓	✓							R-MSRT8-SM		
																				✓	✓	✓	✓	✓	✓	✓	✓	✓	R-SM-MSW8"		
6	JUNTA AJUSTABLE PARA SELLO MECÁNICO	✓	✓	✓	✓	✓	✓	✓	✓	✓	✓	✓	✓	✓	✓	✓	✓	✓	✓	✓	✓	✓	✓	✓	✓	✓	✓	R-MSRT10-SM			
																						✓	✓	✓	✓	✓	✓	R-SM-MSW10/8"			
																							✓	✓	✓	✓	✓	✓	R-SM-MSW12/10"		
																													R-MSRT6-JA		
																														R-MSRT8-JA	
																														R-MSRT10-JA	
12	SELLO CONECTOR	✓	✓	✓	✓	✓	✓	✓	✓	✓	✓	✓	✓	✓	✓	✓	✓	✓	✓	✓	✓	✓	✓	✓	✓	✓	✓	R-SECMSW7.5-20/230			
																													R-SECMSW25/230		
																													R-SECMSW30-50/230		
		✓	✓	✓	✓	✓	✓	✓	✓	✓	✓	✓	✓	✓	✓	✓	✓	✓	✓	✓	✓	✓	✓	✓	✓	✓	✓	R-SECMSW7.5-30/460			
																													R-SECMSW40-50/460		
																													R-SECMSW60/230-460		
																													R-SECMSW75-100/460		
																													R-SECMSW125/460		
																														R-SECMSW150/460	
																														R-SECMSW175-200	
																														✓	R-SECMSW250/460
		16	SOPORTE SUPERIOR	✓	✓	✓	✓	✓	✓	✓	✓	✓	✓	✓	✓	✓	✓	✓	✓	✓	✓	✓	✓	✓	✓	✓	✓	✓	✓	R-SS-MSW6 7.5-15HP	
																												R-SS-MSW6 20-25HP			
																													R-SS-MSW6 30-50HP		
																													R-SS-MSW8		
																								✓	✓	✓	✓	✓	R-SS-MSW10		
																								✓	✓	✓	✓	✓	✓	R-SS-MSW12	

## DESPIECE



## TABLA DE REFACCIONES

POSICIÓN	REFACCIÓN	MSRT6 7.53230	MSRT6 7.53460	MSRT6 103230	MSRT6 103460	MSRT6 153230	MSRT6 153460	MSRT6 203230	MSRT6 203460	MSRT6 253230	MSRT6 253460	MSRT6 303230	MSRT6 303460	MSRT6 403230	MSRT6 403460	MSRT6 503230	MSRT6 503460	MSRT8/6 603460	MSRT8 753460	MSRT8 1003460	MSRT10/8 1253460	MSRT10/8 1503460	MSRT10/8 1753460	MSRT10/8 2003460	MSRT12/10 2503460	CÓDIGO			
17	CUBIERTA SUPERIOR	✓	✓	✓	✓	✓	✓	✓	✓	✓	✓	✓	✓	✓	✓	✓	✓										R-CS-MSW6-C		
		✓	✓	✓	✓	✓	✓	✓	✓	✓	✓	✓	✓	✓	✓	✓	✓	✓										R-CS-MSW6-L	
																			✓	✓	✓							R-CS-MSW8C	
																							✓	✓	✓			R-CS-MSW8L	
																								✓	✓	✓			R-CS-MSW10
21	BUJE INOXIDABLE PARA ROTOR	✓	✓	✓	✓	✓	✓																			✓	R-CD-MSW12		
								✓	✓	✓	✓																	R-BUJERINXW7.5-15	
																												R-BUJERINXW20-25	
																												R-BUJERINXW30-50	
																												R-BUJERINFW60-100	
																													R-BUJERSUPW60-100
																													R-BUJERINXW125-200
																												✓	R-BUJERINXW250
																													R-SI-MSW6
																													R-SI1-MSW6
22	SOPORTE INFERIOR																										R-SI2-MSW6		
																											R-SI-MSW8		
																												R-SI-MSW10	
																												R-SI-MSW12	
																												R-SI-MSW6	
23	ARANDELA DE BAJA CARGA	✓	✓	✓	✓	✓	✓	✓	✓	✓	✓	✓	✓	✓	✓	✓	✓										R-PBCARGA-MSW6"		
																												R-PBCARGA-MSW8"	
																												R-PBCARGA-MSW10/8"	
																											✓	R-PBCARGA-MSW12/10"	
26	DISCO DE GRAFITO	✓	✓	✓	✓	✓	✓	✓	✓	✓	✓	✓	✓	✓	✓	✓	✓										R-DISCOGR-MSW6"		
																												R-DISCOGR-MSW8"	
																												R-DISCOGR-MSW10/8"	
																											✓	R-DISCOGR-MSW12"	
28	CONJUNTO DE SEGMENTOS	✓	✓	✓	✓	✓	✓	✓	✓	✓	✓	✓	✓	✓	✓	✓	✓										R-CDSEG-MSW6"		
																												R-CDSEG-MSW8"	
																												R-CDSEG-MSW10/8"	
																											✓	R-CDSEG-MSW12"	
31	CAJA DE AJUSTE	✓	✓	✓	✓	✓	✓	✓	✓	✓	✓	✓	✓	✓	✓	✓	✓										R-CA-MSW6		
																												R-CA-MSW8	
																												R-CA-MSW10	
																											✓	R-CA-MSW12	
32	DIAFRAGMA	✓	✓	✓	✓	✓	✓	✓	✓	✓	✓	✓	✓	✓	✓	✓	✓										R-DIAF-MSW6"		
																												R-DIAF-MSW8"	
																												R-DIAF-MSW10/8"	
																											✓	R-DIAF-MSW250	
33	TAPA DE DIAFRAGMA	✓	✓	✓	✓	✓	✓	✓	✓	✓	✓	✓	✓	✓	✓	✓	✓										R-TD-MSW6		
																												R-TD-MSW8	
																												R-TD-MSW10	
																											✓	R-TD-MSW12	

## DESPIECE

