

Despiece (Exploded view)

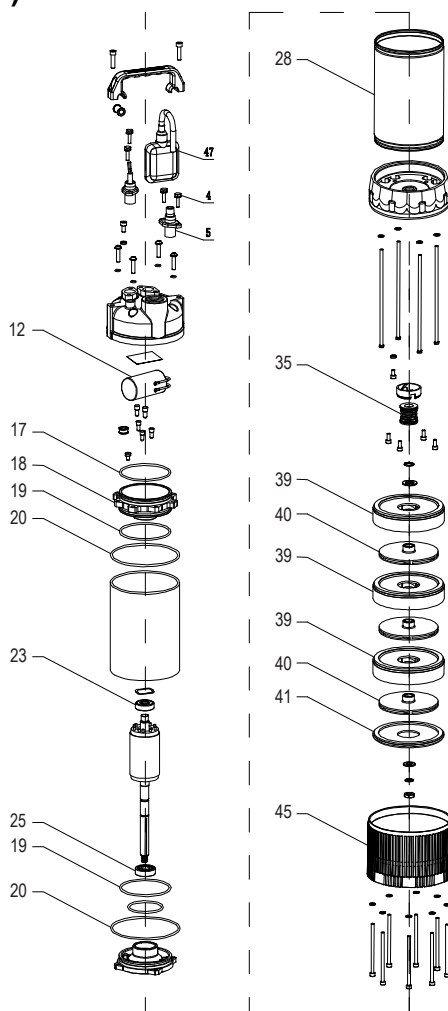


Tabla de refacciones (Spare parts)

POSICIÓN (POSITION)	DESCRIPCIÓN (DESCRIPTION)	TM-S4-62A-1127	MODELO
12	CAPACITOR	✓	R-TMS4-CAP
17	ORING	✓	R-KP-ORING-A
18	BRIDA SUPERIOR (UPPER FLANGE)	✓	R-KP-BR-SUP-EST
19	ORING	✓	R-KP-ORING-B
20	ORING	✓	R-KP-ORING-C
23	BALERO SUPERIOR (UPPER BEARING)	✓	R-KP-BAL-SUP
25	BALERO INFERIOR (LOWER BEARING)	✓	R-LOT100/BALERO
28	CARCASA EXTERNA (OUTER CASING)	✓	R-TMS4-CMI
35	SELLO MECÁNICO (MECHANICAL SEAL)	✓	R-KP-SELLMEC
39	DIFUSOR (DIFFUSER)	✓	R-KP-DIFUSOR
40	IMPULSOR (IMPELLER)	✓	R-TMS4-IMP
41	TAPA DIFUSOR (DIFFUSER COVER)	✓	R-KP-TAPADIF
45	BASE SUCCIÓN (SUCTION BASE)	✓	R-KP-BASE-SUCC-64A